

8 TRACK TAPE PLAYER

H-803 **F**

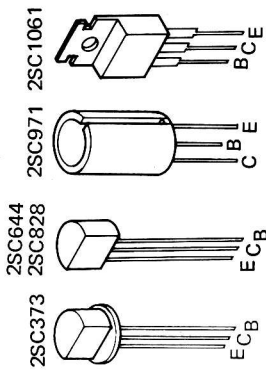
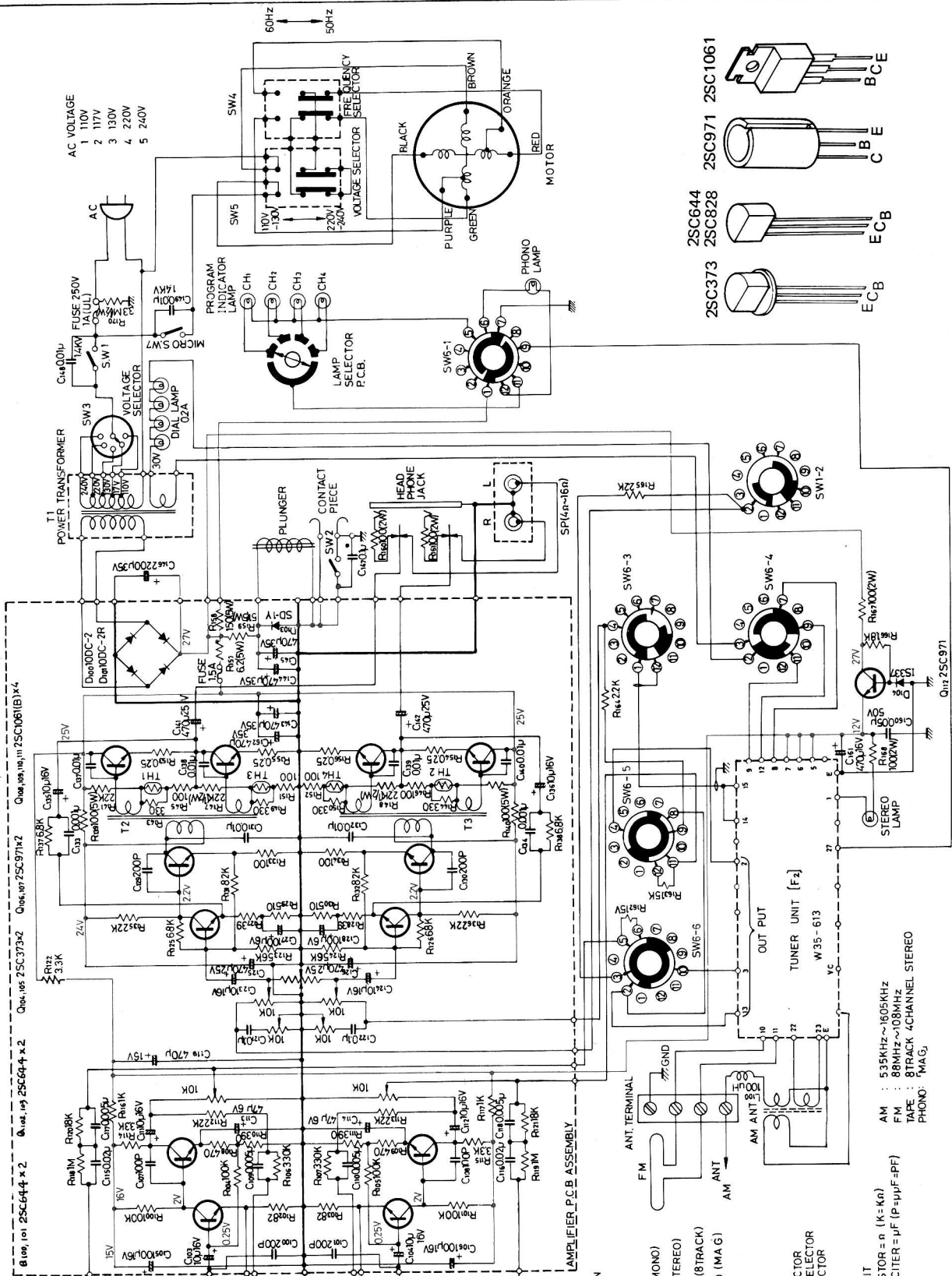


8 TRACK TAPE PLAYER

H-803®

| UNIT \ DESTINATION | PEOA | SABS | EUROPE AND ASIA |
|--------------------|------|------|-----------------|
| FM FRONT END | | | |
| FM IF UNIT | | | |
| MPX UNIT | | | |
| AM TUNER UNIT | | | |
| MAIN AMP UNIT | | | |
| POWER SUPPLY UNIT | | | W16-652 |
| SWITCH UNIT | | | |
| FM TUNER UNIT | | | |
| LW/MW TUNER UNIT | | | |
| MOTOR CONTROL UNIT | | | |
| TUNER UNIT | | | W35-613 |
| AMP UNIT | | | W15-746 |
| | | | |
| | | | |
| | | | |

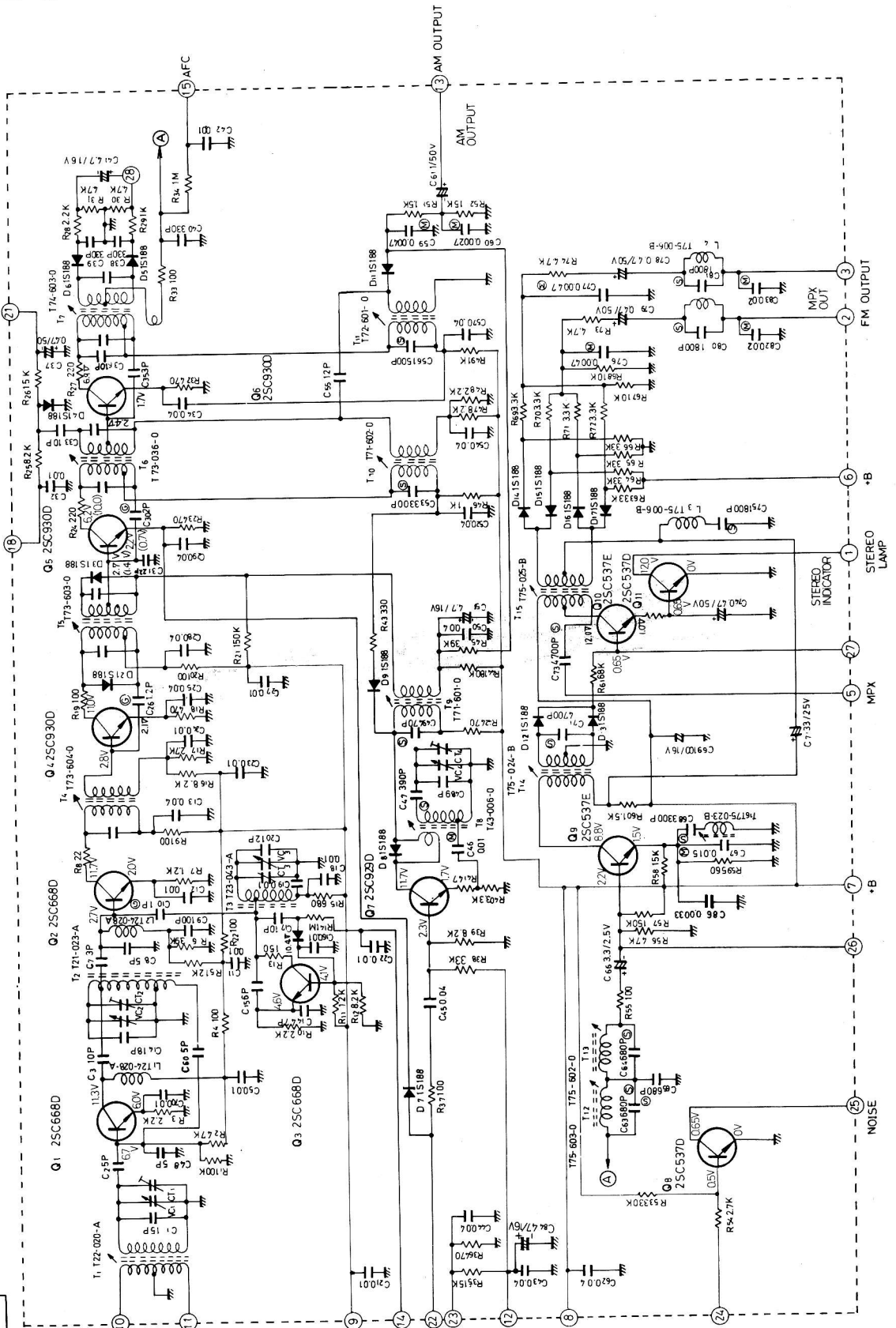
H-803(F)




- SELECTOR POSITION**
- ① OFF
 - ② A M
 - ③ F M (MONO)
 - ④ F M (STEREO)
 - ⑤ TAPE (8TRACK)
 - ⑥ PHONO (MAG)
- SWITCHES**
- SW1 POWER
 - SW2 PROGRAM
 - SW3 LINE VOLTAGE SELECTOR
 - SW4 LINE FREQUENCY SELECTOR
 - SW5 LINE VOLTAGE SELECTOR
 - SW6 FUNCTION
 - SW7 POWER
- UNIT**
- RESISTOR = Ω (K-K Ω)
 - CAPACITOR = μ F (p-p μ F = pF)
- AM : 535KHz ~ 1605KHz
 FM : 88MHz ~ 108MHz
 TAPE : 8TRACK 4CHANNEL STEREO
 PHONO: 'MAG.

TUNER UNIT

W35-613



25C668
 25C930
 25C537
 25C929

 EBC

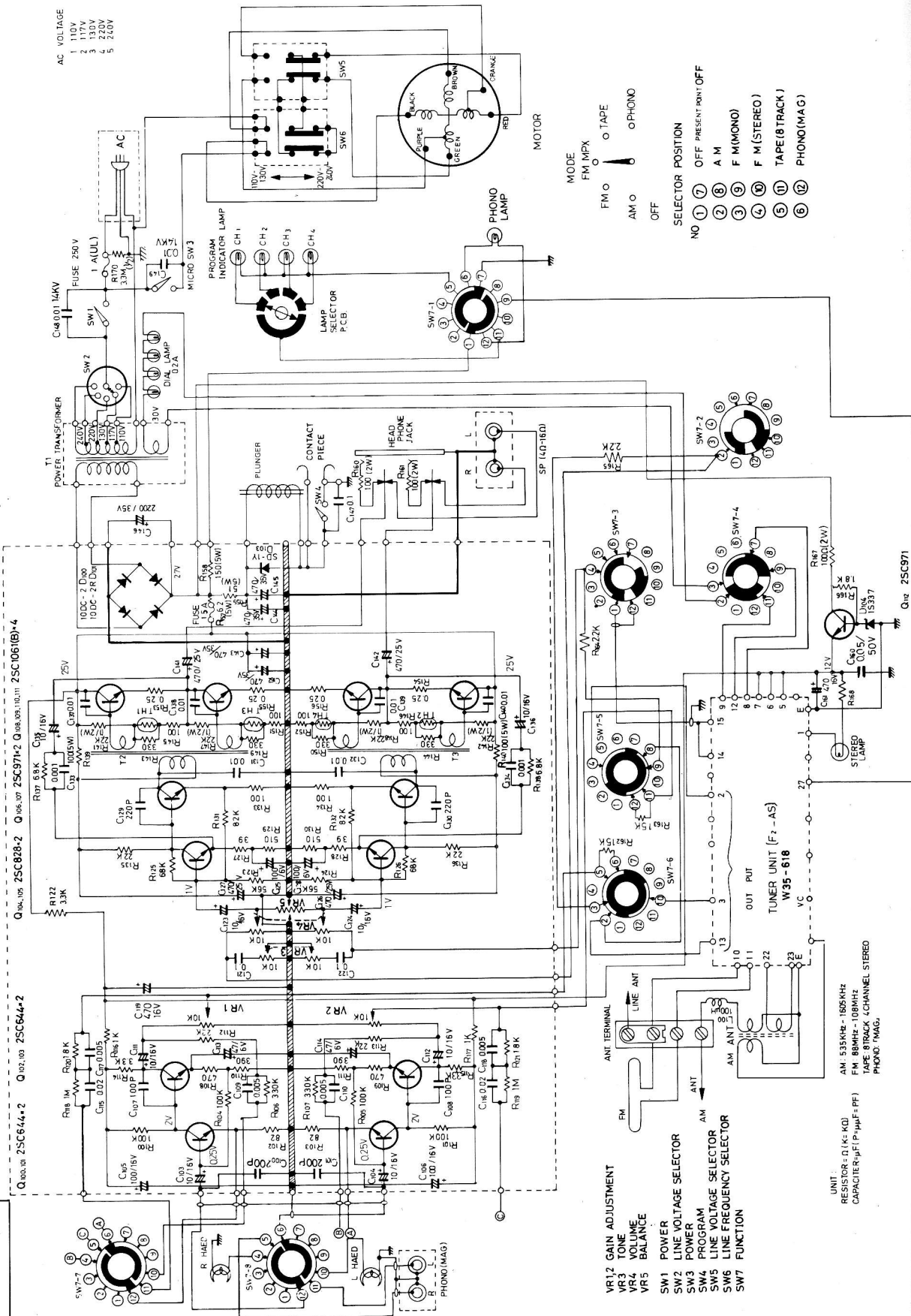
NOTES
 CAPACITORS C1 - C69
 MICROFARAD UNLESS NOTED
 P: MICRO MICROFARAD
 NON MARK CERAMIC
 MILAR
 STYROL
 ELECTROLYTIC
 RESISTORS R1 - R74
 OHM UNLESS NOTED
 K: KILLOHM
 CARBON FILM
 VACANT
 CAPACITORS:
 RESISTORS:

8 TRACK TAPE PLAYER
H-803 ©-SABS



| UNIT \ DESTINATION | PEOA | SABS | EUROPE AND ASIA |
|--------------------|------|---------|-----------------|
| FM FRONT END | | | |
| FM IF UNIT | | | |
| MPX UNIT | | | |
| AM TUNER UNIT | | | |
| MAIN AMP UNIT | | | |
| POWER SUPPLY UNIT | | W16-652 | |
| SWITCH UNIT | | | |
| LW/MW TUNER UNIT | | | |
| MOTOR CONTROL UNIT | | | |
| TUNER UNIT | | W35-618 | |
| AMP ASS'Y | | W15-744 | |
| | | | |
| | | | |
| | | | |
| | | | |

H-803 SABS



- AC VOLTAGE
 1 110V
 2 117V
 3 130V
 4 220V
 5 240V

- MODE
 FM MPX
 FM O
 AM O
 OFF
- SELECTOR POSITION
 NO 1 2 3 4 5 6
 OFF PRESENT POINT
 A M
 F M (MONO)
 F M (STEREO)
 TAPE (TRACK I)
 PHONO (MAG)

Q 001.05 25C644-2 Q 002.03 25C644-2 Q 003.07 25C828-2 Q 004.05 25C828-2 Q 005.07 25C971-2 Q 006.09 100.11 25C061(B)-4



- VR1,2 GAIN ADJUSTMENT
 VR3 TONE
 VR4 VOLUME
 VR5 BALANCE
 SW1 POWER
 SW2 LINE VOLTAGE SELECTOR
 SW3 PROGRAM
 SW4 LINE VOLTAGE SELECTOR
 SW5 LINE FREQUENCY SELECTOR
 SW7 FUNCTION

UNIT
 RESISTOR = 0.1K (K)
 FM 535KHZ - 1605KHZ
 FM 88MHZ - 108MHZ
 TAPE 8TRACK 4-CHANNEL STEREO
 PHONO (MAG)

TUNER UNIT
W35-618

